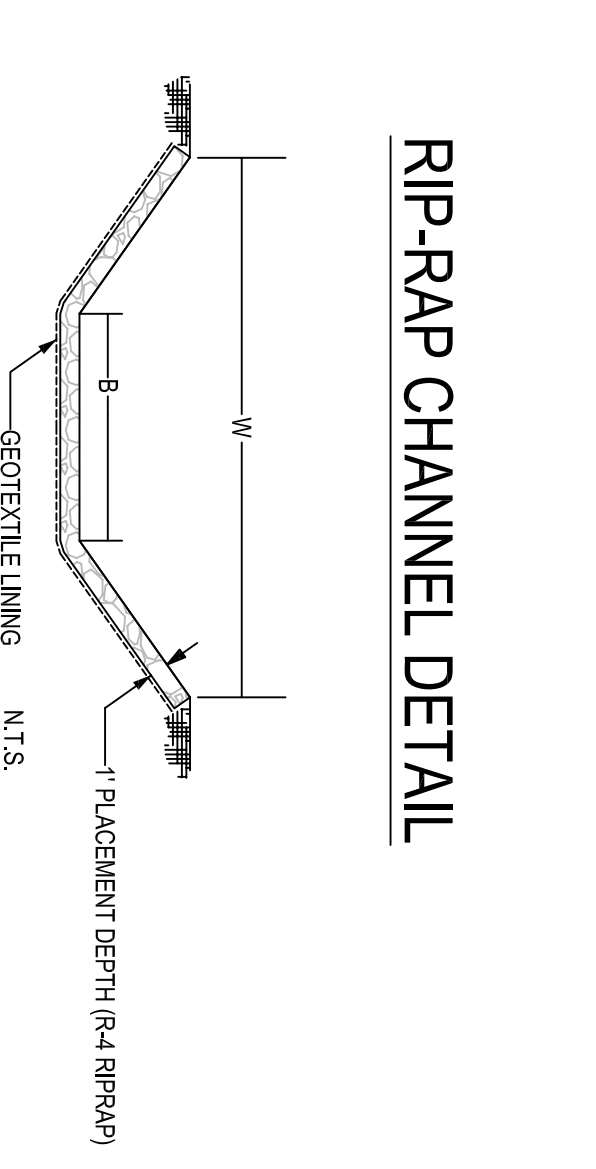
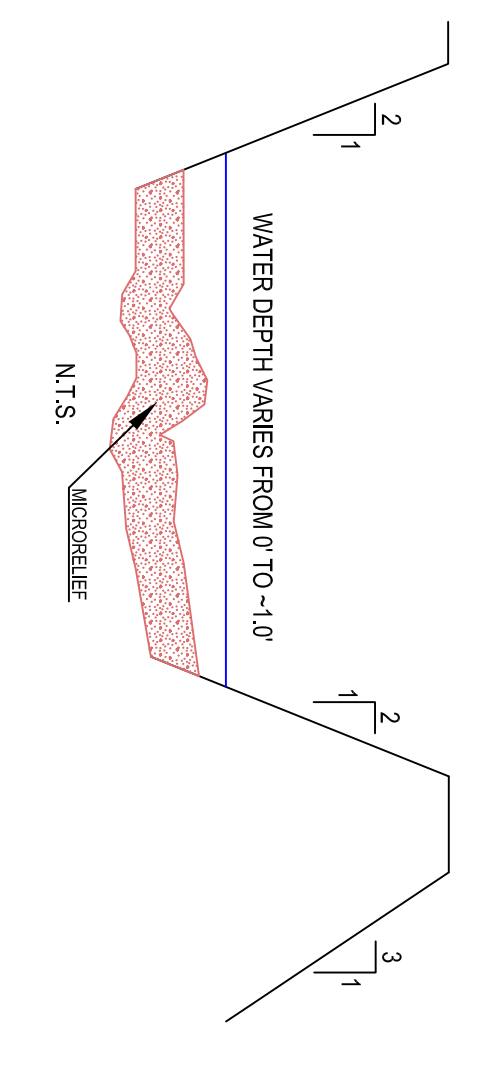


### PASSIVE TREATMENT SYSTEM SUMMARY

COMPONENT	SIZE (SQ FT)	APPR DEPTH OF DEEP POOL (FT)	DESCRIPTION
FOREBAY	1,140	...	CAPTURE DISCHARGES AND PARTICULATE SETTLING
PRECIP POOL	360	...	PRECIPITATION POOL - IRON OXIDATION AND PARTICULATE SETTLING
BSWL1	4,220	3	BIOSSVAL WETLAND - IRON OXIDATION AND PARTICULATE SETTLING
BSWL2	4,130	3	BIOSSVAL WETLAND - IRON OXIDATION AND PARTICULATE SETTLING
WL	11,100	3	AEROBIC WETLAND - IRON OXIDATION AND PARTICULATE SETTLING
WLPOND	15,100	5	POLISHING WETLAND AND POND COMPLEX

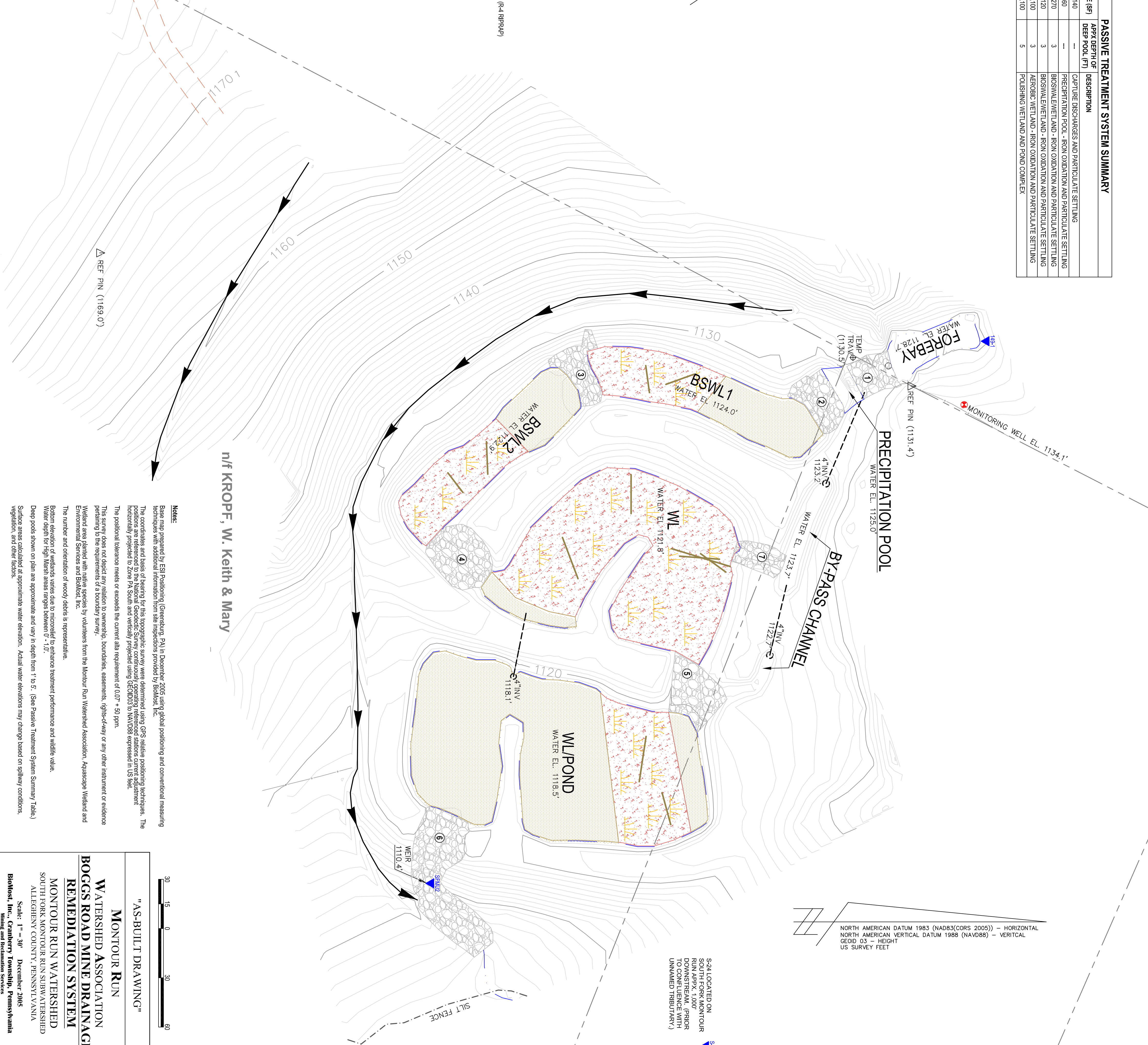
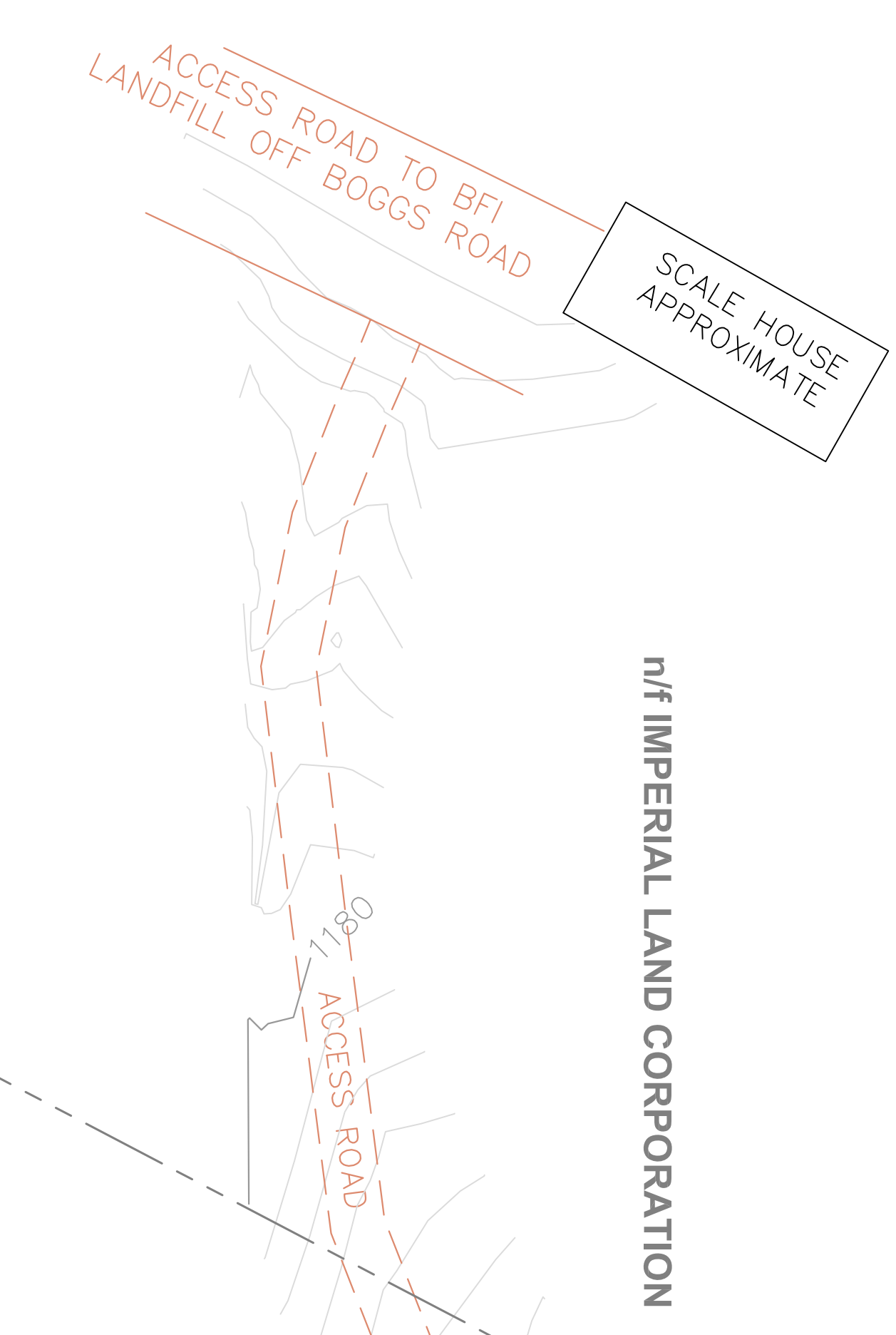
- ### LEGEND
- CONTOUR - INDEX
  - CONTOUR - INTERMEDIATE
  - PROPERTY LINE (APPRX. LOCATION)
  - CHAINLINK FENCE
  - WATER
  - MONITORING WELL (BFL LANDFILL)
  - DIVERSION DITCH
  - 4" SCH 40 BY-PASS PIPE (APPRX. LOCATION)
  - SLIDE GATE VALVE
  - PAVED ROAD
  - DIRT/GRAVEL ROAD
  - RIP-RAP OUTLETTED CHANNEL (R-4)
  - WATER SAMPLE POINT
  - WETLAND SUBSTRATE
  - HIGH MARSH AREA
  - WOODY DEBRIS (APPRX. LOCATION)
  - DEEP POOL (APPRX. LOCATION) - SEE NOTE 5



### RIP-RAP CHANNELS

#	CHANNEL LOCATION	W / B	OUTLET EL.	LINING
1	FOREBAY LEVEL SPREADER	23 / 23	1128.7'	R-4
2	PRECIP POOL LEVEL SPREADER	37 / 27	1128.0'	R-4
3	BSWL 1 SPILLWAY	37 / 30	1124.0'	R-4
4	BSWL 2 SPILLWAY	32 / 14	1122.9'	R-4
5	WL SPILLWAY	20 / 17	1121.8'	R-4
6	WLPOND SPILLWAY	30 / 21	1118.5'	R-4
7	BYPASS CHANNEL SPILLWAY	18 / 6	1123.7'	R-4

CHANNEL NUMBER KEYED TO PLAN. DIMENSIONS IN FEET.



**Notes:**

Base map prepared by ESI Positioning (Greensburg, PA) in December 2005 using global positioning and conventional measuring techniques with additional information from site inspections provided by Biotrust, Inc.

The coordinates and basis of bearing for this topographic survey were determined using GPS satellite positioning techniques. The positions are referenced to the National Geodetic Survey continuous operating reference stations current epoch. The horizontal projection is to Zone 18 South and vertically projected using GEOID03 to NAVD88 expressed in US feet.

The positional tolerance meets or exceeds the current data requirements of 0.07' + 50 ppm.

This survey does not depict any station to ownership, boundaries, easements, rights-of-way or any other instrument or evidence pertaining to the requirements of a boundary survey.

Wetland area planted with native species by volunteers from the Montour Run Watershed Association, Aquascapac Wetland and Environmental Services and Biotrust, Inc.

The number and orientation of woody debris is representative.

Bottom elevation of wetlands varies due to microtop to enhance treatment performance and wildlife value.

Water depth for High Marsh areas ranges between 0' - 1'0".

Deep pools shown on plan are approximate and vary in depth from 1' to 5'. (See Passive Treatment System Summary Table)

Surface areas calculated at approximate water elevation. Actual water elevations may change based on spillway conditions, vegetation, and other factors.

**"AS-BUILT DRAWING"**

**MONTOUR RUN WATERSHED ASSOCIATION**  
**BOGGS ROAD MINE DRAINAGE REMEDIATION SYSTEM**

**MONTOUR RUN WATERSHED SOUTH FORK MONTOUR RUN SUBWATERSHED ALLEGHENY COUNTY, PENNSYLVANIA**

Scale: 1" = 30'  
 December 2005

**Biotrust, Inc., Cranberry Township, Pennsylvania**  
 Mining and Reclamation Services