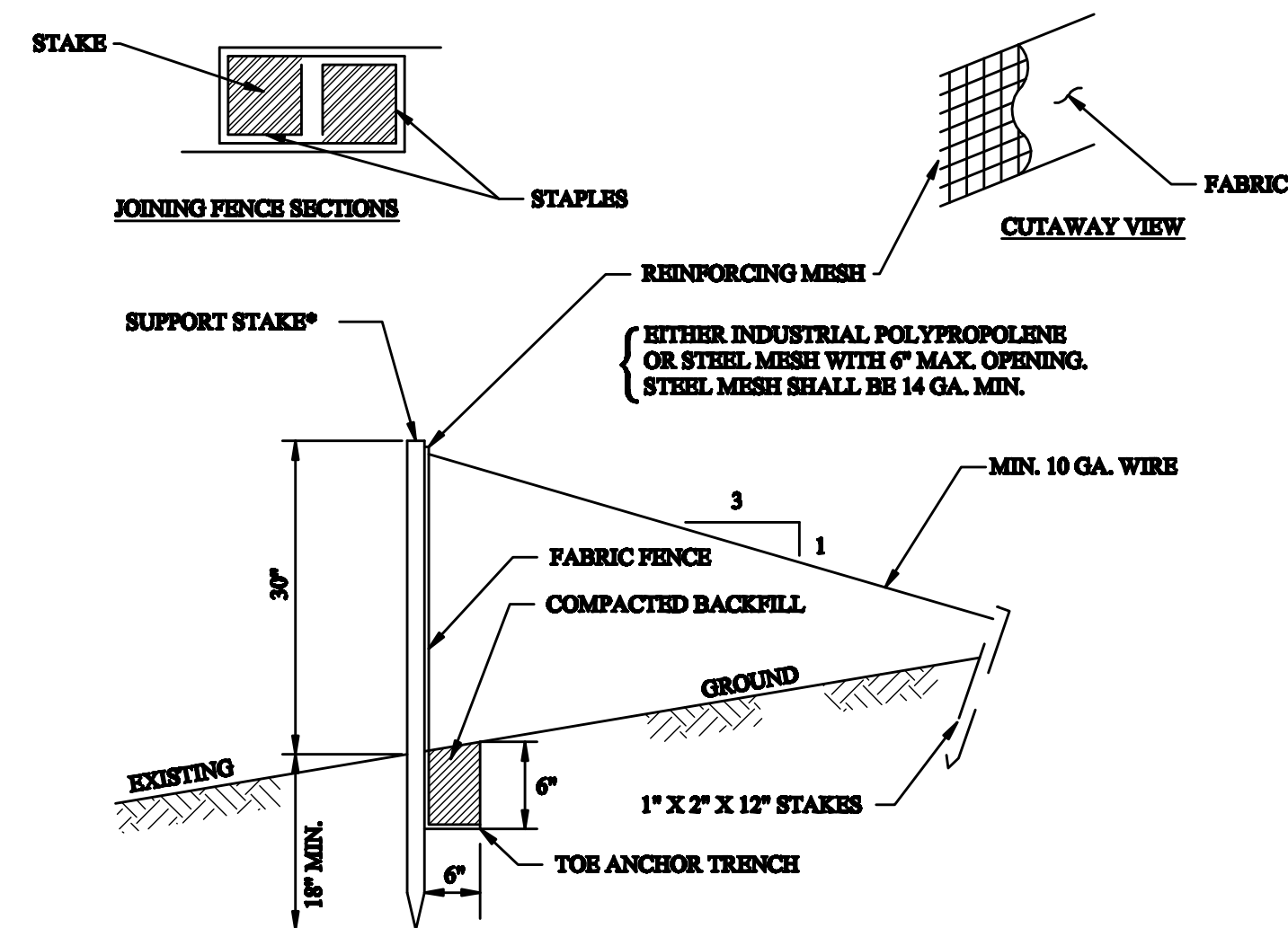


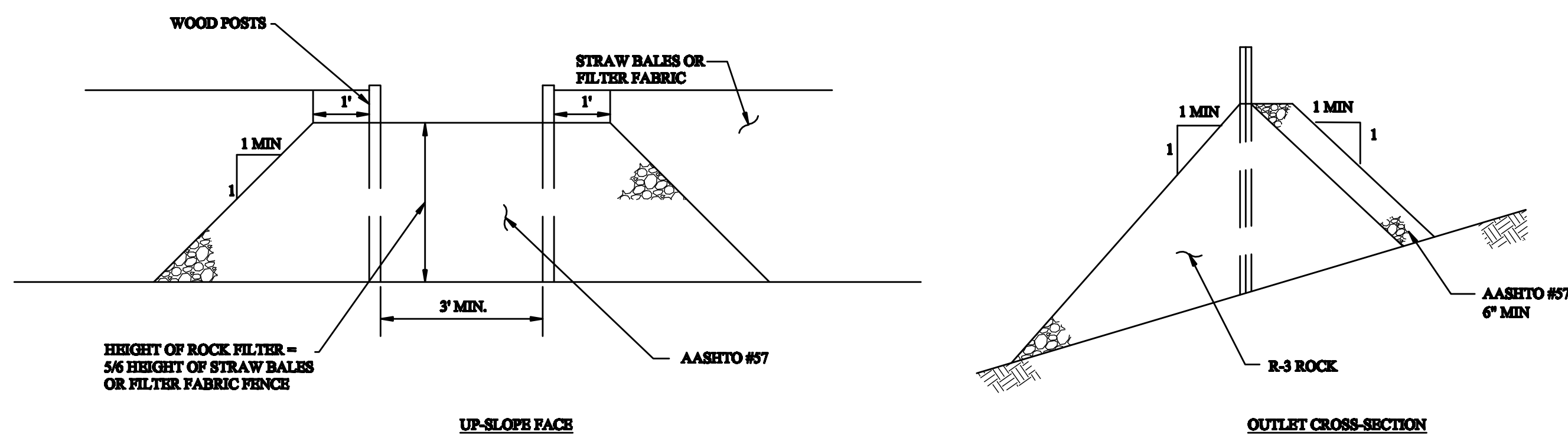
\* STAKES SPACED @ 6' MAXIMUM. USE 2" X 2" WOOD OR EQUIVALENT STEEL STAKES.  
 FILTER FABRIC FENCE MUST BE PLACED AT LEVEL EXISTING GRADE. BOTH ENDS OF THE BARRIER MUST BE EXTENDED AT LEAST 8 FEET UP SLOPE AT 45 DEGREES TO THE MAIN BARRIER ALIGNMENT.  
 SEDIMENT MUST BE REMOVED WHEN ACCUMULATIONS REACH 1/2 THE ABOVE GROUND HEIGHT OF THE FENCE.  
 ANY SECTION OF FILTER FABRIC FENCE WHICH HAS BEEN UNDERMINED OR TOPPED MUST BE IMMEDIATELY REPLACED WITH A ROCK FILTER OUTLET. SEE DETAIL 3/C-8.

1 STANDARD FILTER FABRIC FENCE (18" HIGH)  
 C-8 SCALE: NONE



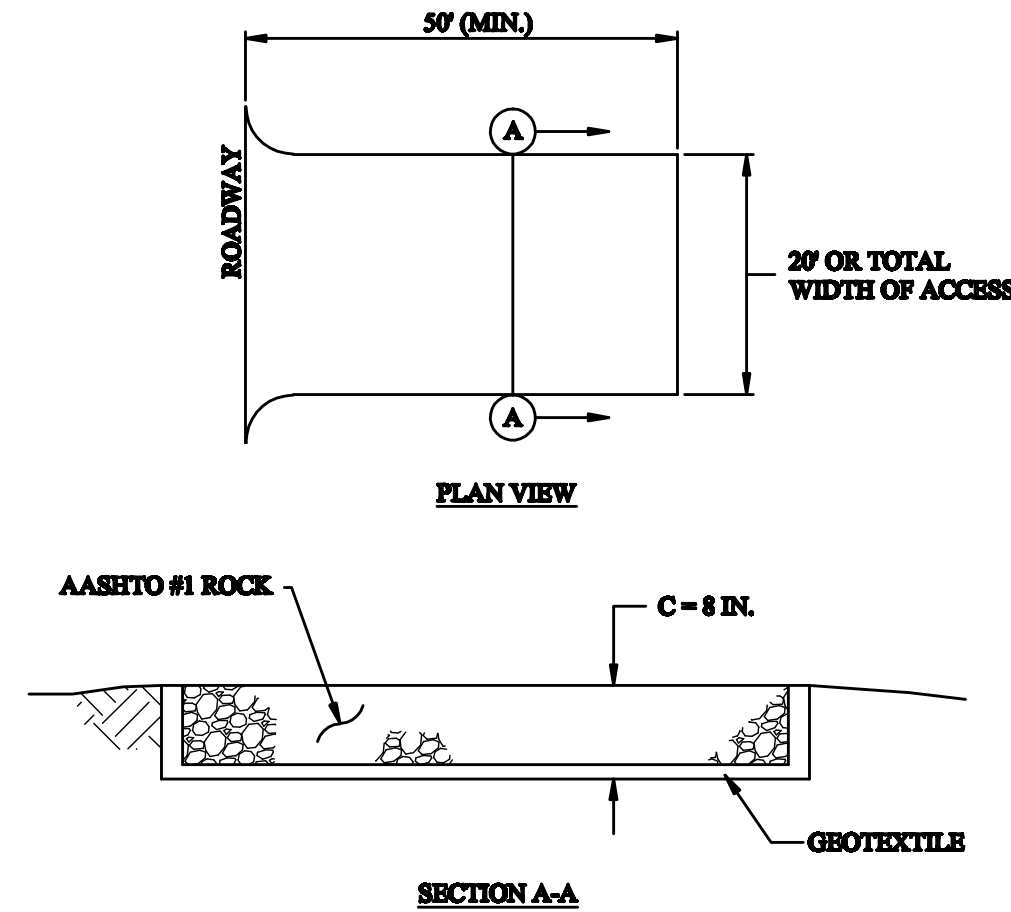
\* STAKES SPACED @ 6' MAX. USE 2" X 2" WOOD OR EQUIVALENT STEEL STAKES.  
 FILTER FABRIC FENCE MUST BE INSTALLED AT EXISTING LEVEL GRADE. BOTH ENDS OF EACH FENCE SECTION MUST BE EXTENDED AT LEAST 8 FEET UP SLOPE AT 45 DEGREES TO THE MAIN FENCE ALIGNMENT.  
 SEDIMENT MUST BE REMOVED WHERE ACCUMULATIONS REACH 1/2 THE ABOVE GROUND HEIGHT OF THE FENCE.  
 ANY FENCE SECTION WHICH HAS BEEN UNDERMINED OR TOPPED MUST BE IMMEDIATELY REPLACED WITH A ROCK FILTER OUTLET. SEE DETAIL 3/C-8.

2 REINFORCED FILTER FABRIC FENCE (30" HIGH)  
 C-8 SCALE: NONE



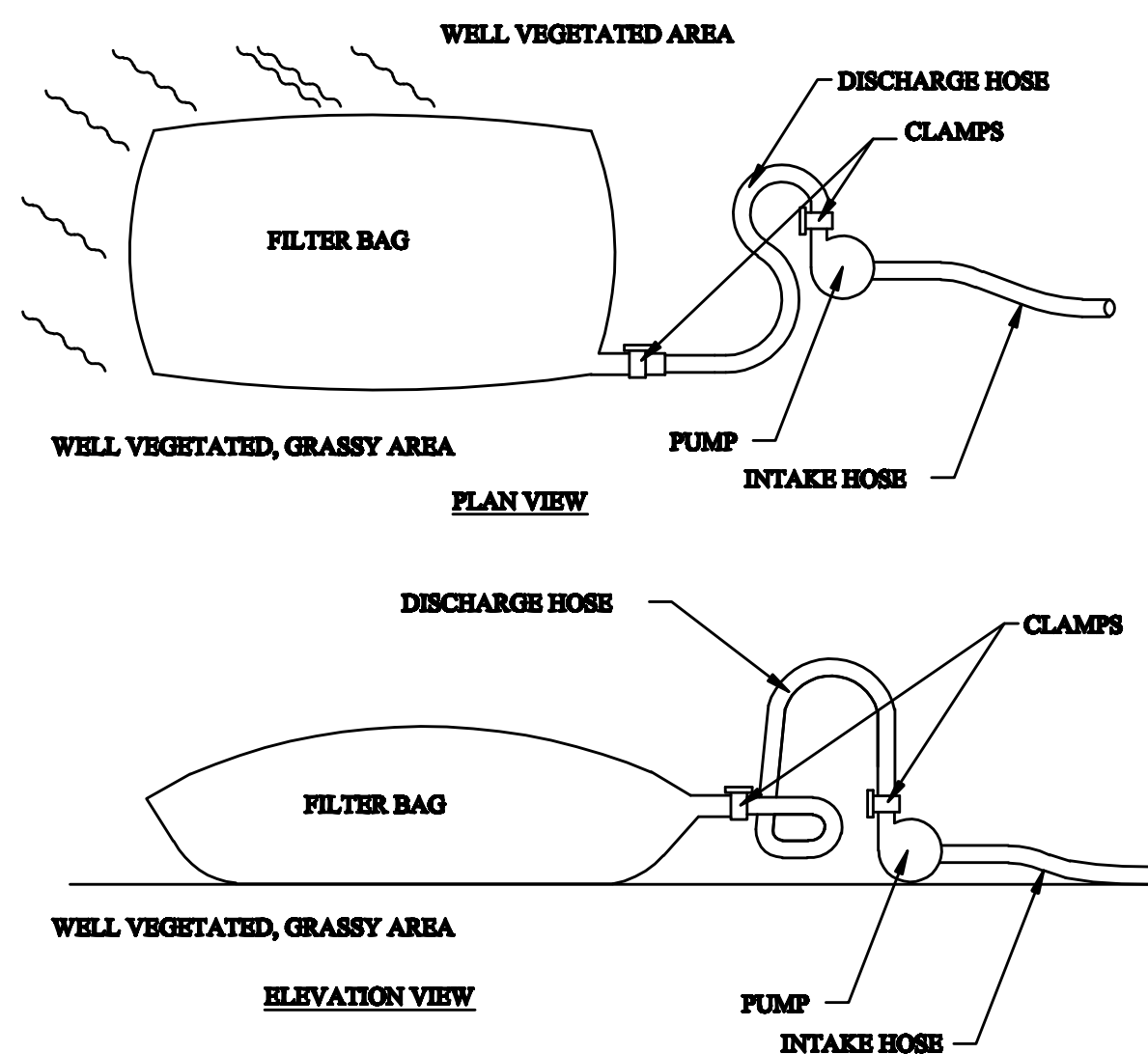
HEIGHT OF ROCK FILTER = 5/6 HEIGHT OF STRAW BALES OR FILTER FABRIC FENCE  
 MAINTENANCE NOTE: SEDIMENT MUST BE REMOVED WHEN ACCUMULATIONS REACH 1/3 THE HEIGHT OF THE OUTLET.

3 ROCK FILTER OUTLET FOR FILTER FABRIC FENCE  
 C-8 SCALE: NONE

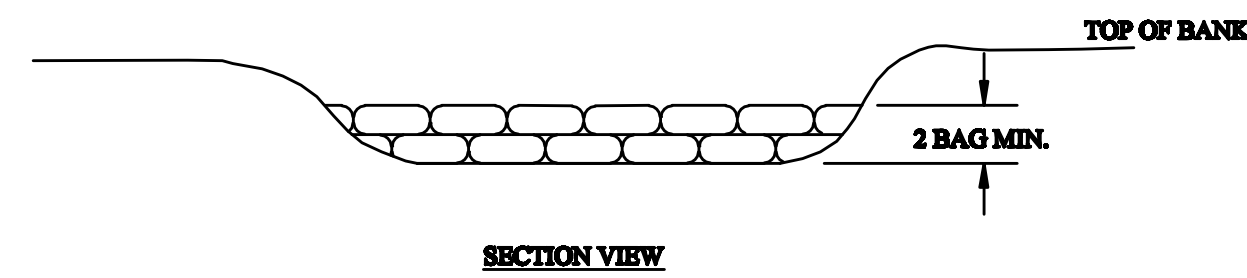


MAINTENANCE NOTES:  
 ROCK CONSTRUCTION ENTRANCE THICKNESS SHALL BE CONSTANTLY MAINTAINED TO THE SPECIFIED DIMENSIONS BY ADDING ROCK. A STOCKPILE SHALL BE MAINTAINED ON SITE FOR THIS PURPOSE. AT THE END OF EACH CONSTRUCTION DAY, ALL SEDIMENT DEPOSITED ON PAVED ROADWAYS SHALL BE REMOVED AND RETURNED TO THE CONSTRUCTION SITE.

4 ROCK CONSTRUCTION ENTRANCE  
 C-8 SCALE: NONE

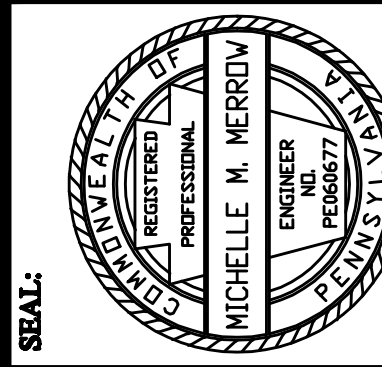


5 PUMPED WATER FILTER BAG DETAIL  
 C-8 SCALE: NONE



TEMPORARY COFFER DAM CONSTRUCTION SPECIFICATIONS:  
 1. COFFER DAM SHALL CONSIST OF STACKED, SEALED SAND BAGS.  
 2. SAND BAGS SHALL BE PLACED ACROSS ENTIRE WIDTH OF STREAM CHANNEL OR WORK AREA TO BE DEWATERED.  
 3. SAND BAGS SHALL BE STACKED TO AN ELEVATION OF 2' ABOVE NORMAL STREAM OR WATER ELEVATION. A MINIMUM OF 2 LEVELS OF SAND BAGS SHALL BE PLACED.  
 4. SAND BAGS SHALL BE STACKED SUCH THAT THE DAM IS STABLE. PROVIDE MULTIPLE ROWS OF BAGS AT BOTTOM TO STABILIZE DAM, IF NEEDED.  
 TEMPORARY COFFER DAM MAINTENANCE NOTES:  
 1. COFFER DAM AND PUMPING EQUIPMENT SHOULD BE INSPECTED ONCE PER HOUR DURING OPERATION.  
 2. ADD ADDITIONAL SAND BAG LEVELS IF POOL BEHIND DAM RISES ABOVE BOTTOM OF TOP LEVEL OF BAGS.  
 3. ADJUST AND REPLACE SAND BAGS AS INSPECTION REQUIRES.

6 TEMPORARY SANDBAG COFFER DAM  
 C-8 SCALE: NONE



Michelle M. Merrow  
 PE060677

NO.	REVISIONS	DESCRIPTION	DATE
1		REVISED FOR CONSTRUCTION	05/18/08

THIS INFORMATION CONTAINED HEREIN MAY NOT BE USED OR COPIED WITHOUT WRITTEN PERMISSION OF THE DESIGN ENGINEER.

**ALDER RUN**  
 ENGINEERING  
 107 COAL STREET  
 OSCOLA MILLS, PENNSYLVANIA 16666  
 PHONE: (814) 339-6998

DATE: FEB 1, 2007

PROJECT: EMIGH RUN 8 (ER-8) AMD TREATMENT PROJECT  
 PREPARED FOR EMIGH RUN/LAKESIDE WATERSHED ASSOCIATION  
 MORRIS TOWNSHIP, CLEARFIELD COUNTY, PA.

TITLE: EROSION & SEDIMENT CONTROL DETAILS

PREPARED FOR:  
 New Miles of Blue Stream  
**NMBS**

103 FAIRWAY DRIVE  
 PHILIPSBURG, PENNSYLVANIA 16866  
 PHONE: (814) 343-5676