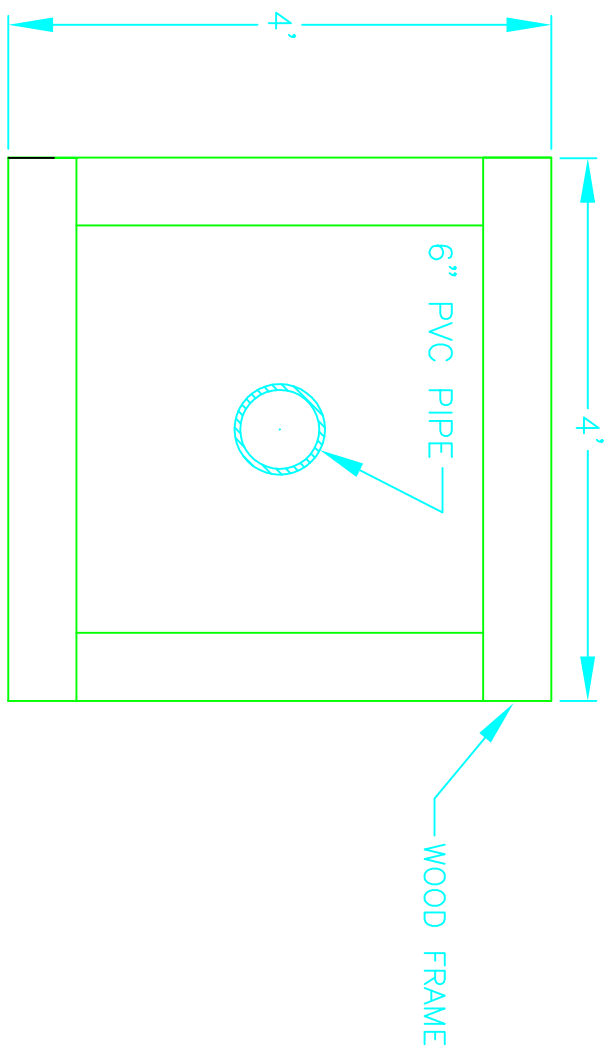


**CLEANOUT DETAIL**

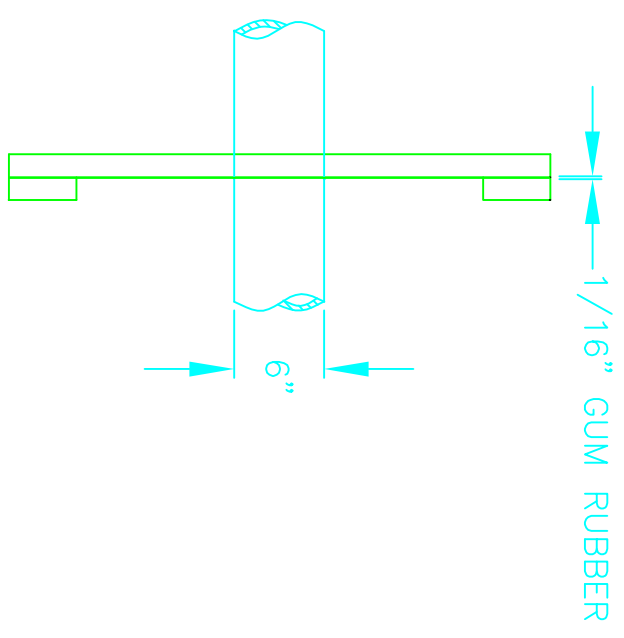
N.T.S.




NOTE:  
Agri Drain Corp. - Anti-Seep Collar  
or Approved Equal.

**ANTI-SEEP COLLAR (TYP.)**

N.T.S.




**L. ROBERT KIMBALL & ASSOCIATES, INC.**  
 Consulting Engineers  
 Ebensburg, PA  
 (814) 472-7700

<b>YELLOW CREEK PHASE II</b>			
PROJ. NO 00-1300-0177	DATE 9/21/00	SCALE AS SHOWN	
DRAWN BY DRE	CHECKED BY DGM	SHEET NO SK-7	

yc\_det2